

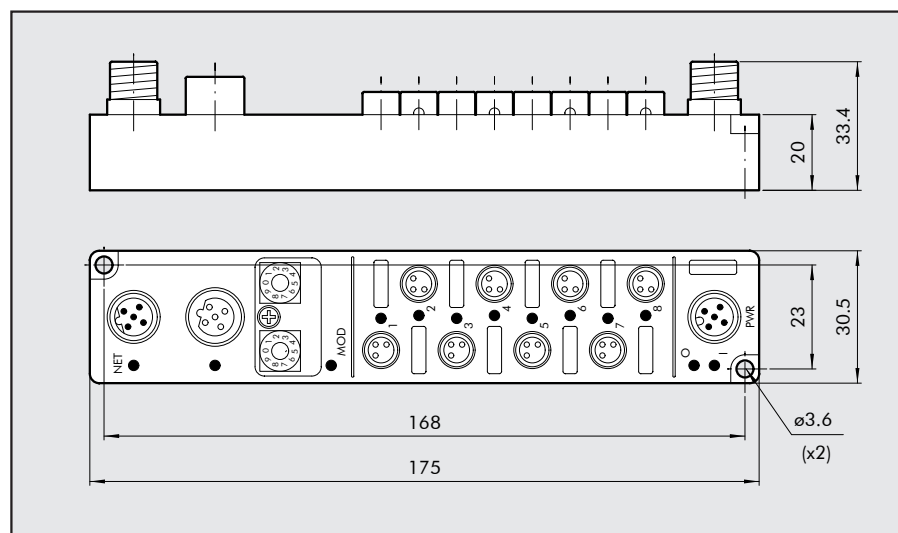
DP IP67 M8 PROFIBUS INPUT

The Profibus DP "COMPACT" input module is a sturdy and compact IP67 slave that can be used for connecting up to 8 inputs. A series of diagnostic functions provides information on the state of operation through lights and signals to the controller.



TECHNICAL DATA		
Application	8 PNP inputs	
Power supply	24 Vdc (13-28 V)	
Index of protection	IP67	
Temperature range	-20 to +70°C RH 5-95% - no condensate	
Field Bus technical data	Transmission protocol	DP-VO Profibus to EN 50170
	Transmission mode	Synchronous or Freeze-Mode
	Transfer rate	Up to 12 MBit/s
	Addresses	Rotary switches, 1...99
Input technical data	Type	PNP proximity sensors or IEE 1131-2 compact mechanical stop
	Power supply	24VDC (18 to 28V)
	Signal	One green LED for each input
	Input 0 signal voltage	2...5V
Diagnosis	Input 1 signal voltage	10...30V
	Field bus	"NET" LED+alarm signal to master
	INPUT short-circuit sensor	Red LED for each channel at M8 connection point M8 (600 mA)

IP67 SLAVE



Code	Description
0240008002	IP67 M8 PROFIBUS INPUT

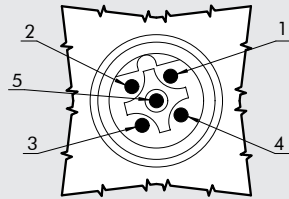
PIN ASSIGNMENT

PROFIBUS CONNECTORS

BUS OUT

M12 female connector
B coding for profibus

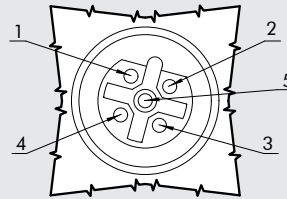
- 1 - 5 VDC power
- 2 - Bus A
- 3 - GND
- 4 - Bus B
- 5 - Screen



BUS IN

M12 male connector
B coding for profibus

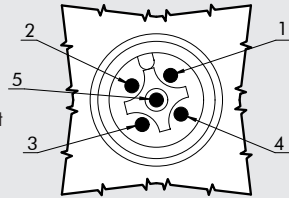
- 1 - 5 VDC power
- 2 - Bus A
- 3 - GND
- 4 - Bus B
- 5 - Screen



POWER CONNECTOR

M12 male connector
A coding

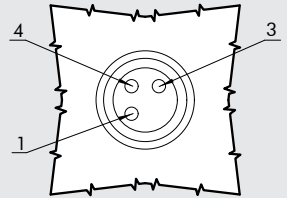
- 1 - Power supply module and input
- 2 - NC
- 3 - GND
- 4 - GND
- 5 - INPUT



INPUT CONNECTORS

M8 three-pole female connector
A coding

- 1 - 24Vdc
- 3 - GND
- 4 - INPUT



LED ASSIGNMENT

NETWORK

- (red): slave not configured or not communicating with master
- (green): slave configured and communicating with master

MODULE FAILURE

- (red): check signal LEDs

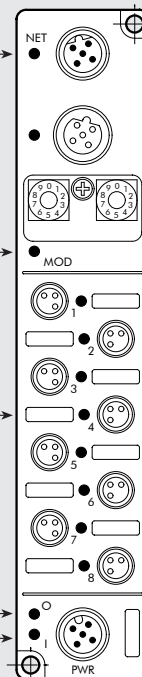
Channel LEDs (inputs)

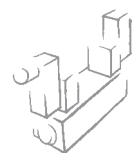
- (green): input enabled
- (red): sensor faulty, +24V power supply short-circuit

NOT USED

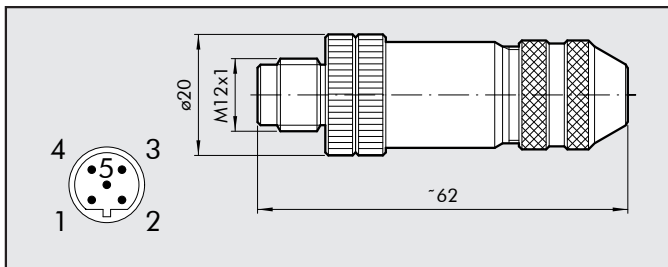
INPUT MODULE POWER SUPPLY

- (green): on



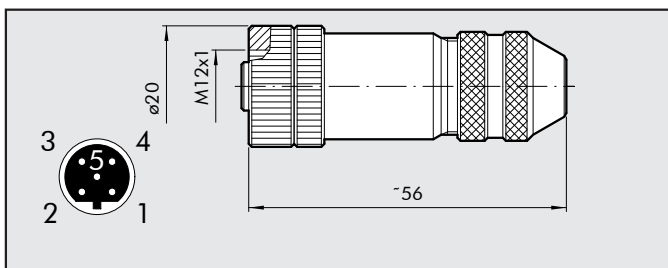


CONNECTEUR MALE M12 ENTREE-BUS



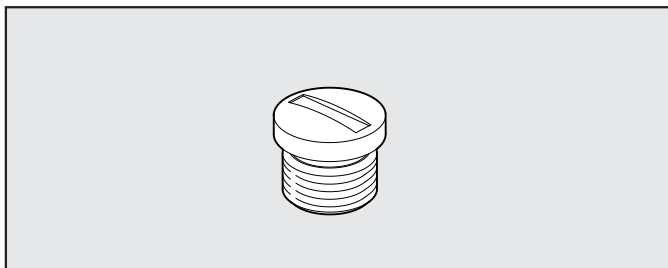
Code	Désignation
0240009035	Connecteur mâle M12 ENTREE-BUS codifié B

CONNECTEUR FEMELLE M12 SORTIE-BUS



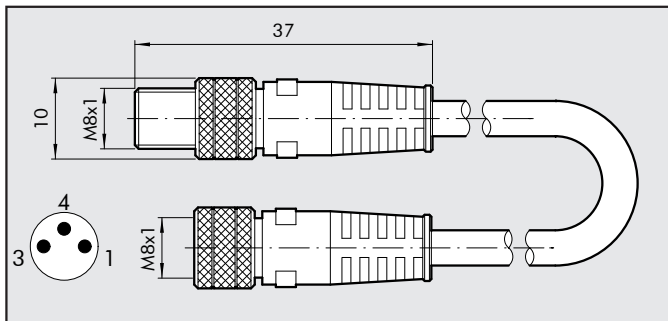
Code	Désignation
0240009036	Connecteur M12 femelle SORTIE-BUS codifié B

BOUCHON M8 - M12



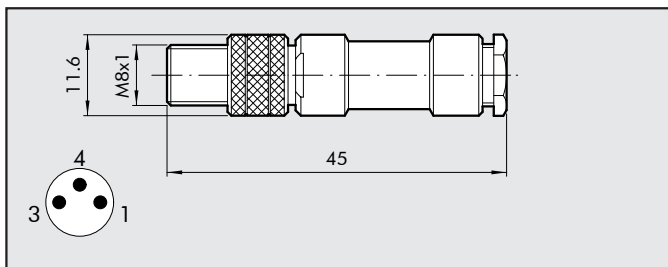
Code	Désignation
0240009039	BOUCHON M8
0240009040	BOUCHON M12

M8 INPUT CONNECTOR WITH CABLE



Code	Description
0240009009	M8-M8 straight connector with 3m cable

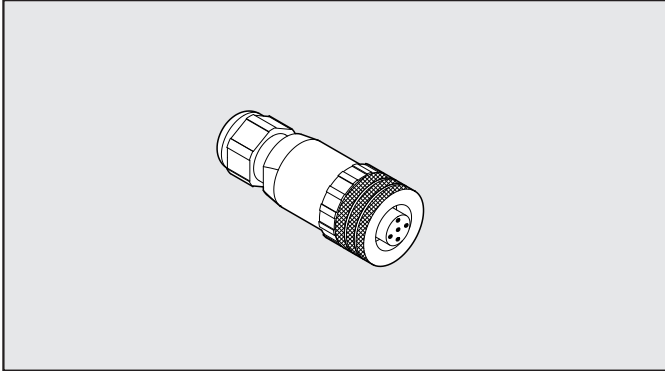
M8 INPUT CONNECTOR



Code	Description
0240009010	M8 3-pin straight connector

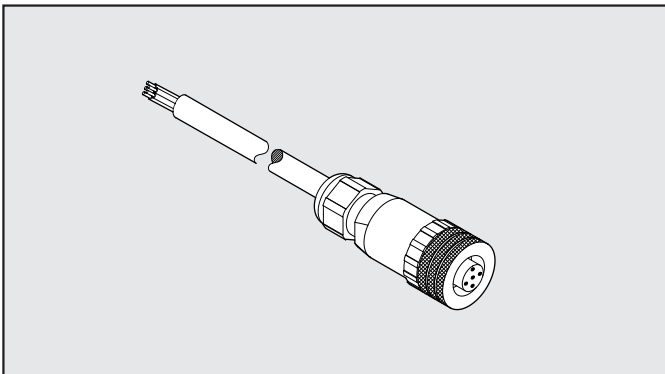
Pin	Cable colour
1	Brown
3	Blue
4	Black

M12 STRAIGHT SUPPLY CONNECTOR



Code	Description
W0970513001	ACC. 5-PIN M12x1 STRAIGHT CONNECTOR

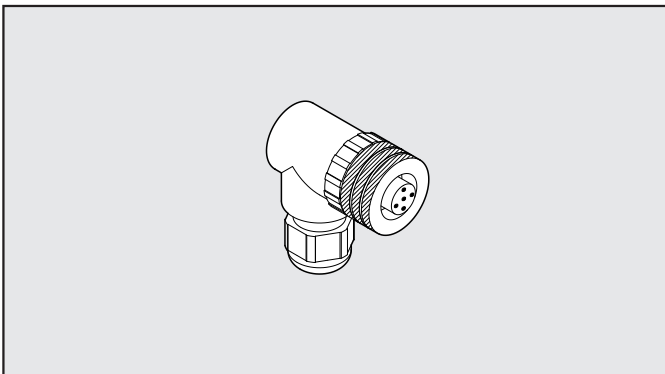
M12 STRAIGHT SUPPLY CONNECTOR WITH CABLE



Code	Description
W0970513002	ACC. 5-PIN M12x1 STRAIGHT CONNECTOR WITH 5m CABLE

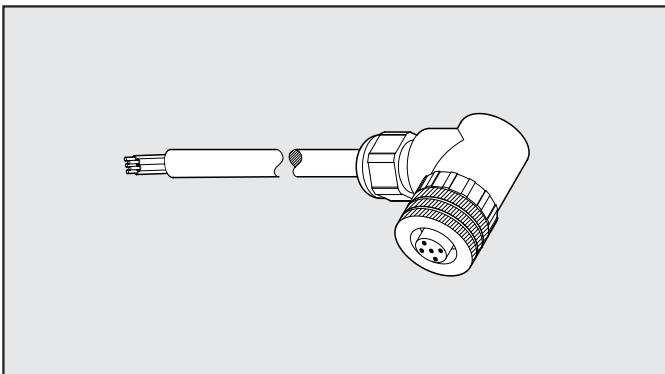
Pin	Cable colour
1	Brown
2	White
3	Blue
4	Black
5	Grey

M12 90° SUPPLY CONNECTOR



Code	Description
W0970513003	ACC. M12x1 5-PIN 90°CONNECTOR

M12 90° SUPPLY CONNECTOR WITH CABLE



Code	Description
W0970513004	ACC. M12x1 5-PIN 90° CONNECTOR WITH 5m CABLE

Pin	Cable colour
1	Brown
2	White
3	Blue
4	Black
5	Grey